

Mod. **CG-PC**

**Vers. V**

- RISCALDATA A VAPORE (Piani)
- CHAUFFEE A VAPEUR (Plateaux)
- HEATED WITH STEAM (Boards)



**COCCHI** srl

via Pacinotti 19 - 40017 San Giovanni in Persiceto - Bologna - Italy  
tel. ++39 - 051 821787 fax ++39 - 051 826935

web site : [www.cocchi.net](http://www.cocchi.net) email : [info@cocchi.net](mailto:info@cocchi.net)





**PIANO SUPERIORE RISCALDATO – PIANO INFERIORE RISCALDATO e ASPIRANTE**  
**UPPER BOARD ELECTRICALLY-HEATED – LOWER BOARD with VACUUM**  
**PLATEAU SUPERIEUR CHAUFFE ELECTRIQ. – PLATEAU INFERIEURE ASPIRANTE**

**PROGRAMMATORE ELETTRONICO**  
**ELECTRONIC PROGRAMMATOR**  
**PROGRAMMATEUR ELECTRONIQUE**



**Touch Screen**



**CHIUSURA a 2 PULSANTI**  
**CLOSING with 2 BUTTONS**  
**FERMETURE à 2 BOUTONS**



**DATI TECNICI - TECHNICAL DETAILS – DONNEES TECHNIQUES**

MOTORE ASPIRAZIONE  
 RESISTENZA PIANO Superiore  
 CONSUMO VAPORE  
 (versione E-V )  
 CONSUMO ELETTRICO  
 (versione E )

VACUUM – MOTOR  
 UPPER-BOARD Elements  
 CONSUMO VAPORE  
 (E-V version )  
 ELECTRIC CONSUMPT.  
 ( E- Version )

MOTEUR – ASPIRATION  
 RESISTANCES – PLAT. SUP  
 CONSOMMAT. VAPEUR  
 (version E-V )  
 CONSOMMAT. ELECTRIQ.  
 ( version E )

**350 watt – Hp 0,5**  
**1000 x n.3 > 3000 w**  
**26-28 Kg/V – 5 bar**

**Kw 12 + 8**

**OPTIONALS x Mod. CG-PCX & CG-PC**

**CALDAIA 24 Lt. / 18 – 21 kw**  
**PER ALIMENT. Easy . MAKIII**

**BOILER 24 Lts / 18 – 21 kw**  
**TO SUPPLY the Easy . MAKIII**

**CHAUD. 24 Lts / 18 – 21 kw**  
**Pour Aliment. Easy . MAKIII**



**RECUPERATORE**  
**ENERGIA Mod. RC-8**

**CONDENSATE-ENERGY**  
**RECOVER Mod RC-8**

**RECUPERATEUR ENERGIE**  
**DE CONDENSAT Mod RC-8**



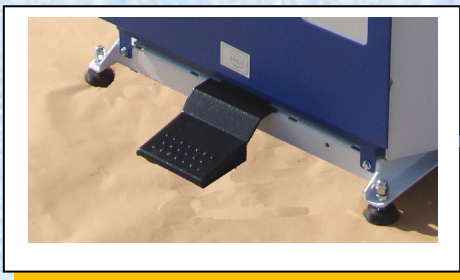




**PIANO SUPERIORE RISC. A VAPORE – PIANO INFERIORE RISC A VAP e ASPIRANTE**  
**UPPER BOARD STEAM-HEATED – LOWER BOARD with VACUUM**  
**PLATEAU SUPERIEUR CHAUFFE VAPEUR – PLATEAU INFERIEURE ASPIRANTE**



**N. 2 TIMERS**  
**ASPIRAZIONE-CHIUSURA**  
**VACUUM – CLOSING**  
**ASPIRATION - FERMETURE**



**CHIUSURA A PEDALE**  
**CLOSING WITH PEDAL**  
**FERMETURE PAR PEDALE**



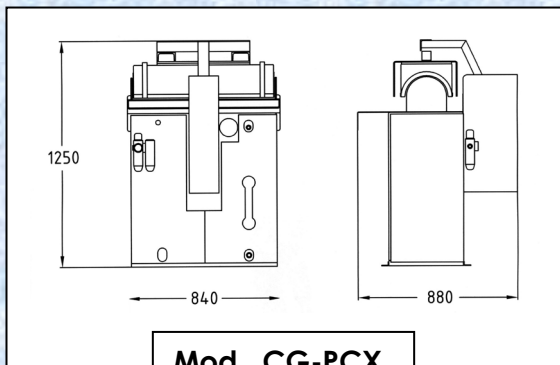
**DATI TECNICI - TECHNICAL DETAILS – DONNEES TECHNIQUES**

**MOTORE ASPIRAZIONE**  
**CONSUMO VAPORE**  
**CONSUMO ELETTRICO**

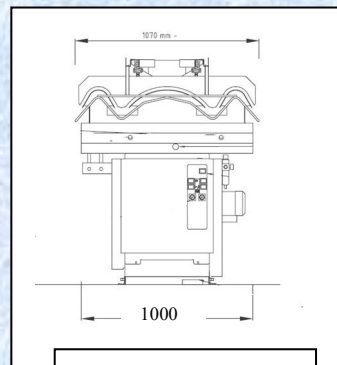
VACUUM MOTOR  
 STEAM CONSUMPTION  
 ELECTRIC. CONSUMPTION

MOTEUR ASPIRATION  
 CONSOMMATION VAPEUR  
 CONSOMMATION ELECTR.

**350 WATT**  
**12 Kg/h # 5 Bar**  
**400 WATT TOTAL.**



**Mod. CG-PCX**



**Mod. CG-PC**

Mod. **CG-PCX**

**Vers. E - V**

- RISCALDATA A VAPORE E ELETTRICITA'
- CHAUFFE A VAPEUR et ELECTRICITE
- HEATED WITH STEAM and ELECTRICITY

**Vers. E**

- RISCALDATA ELETTRICAMENTE 100 %
- CHAUFFE A ELECTRICITE 100 %
- HEATED WITH ELECTRICITY 100 %



®

**COCCHI**

